



COMPACT 3947 E

Exceptional productivity

- Working height up to 44 ft 9 in
- Driveable at full height
- Load capacity: 770 lbs
- Reliable and easy to maintain
- Extended platform
- Long working cycles

Optimum compactness

- 3 ft 11 in width
- Folding guardrails



Haulotte 
GROUP

More than lifting





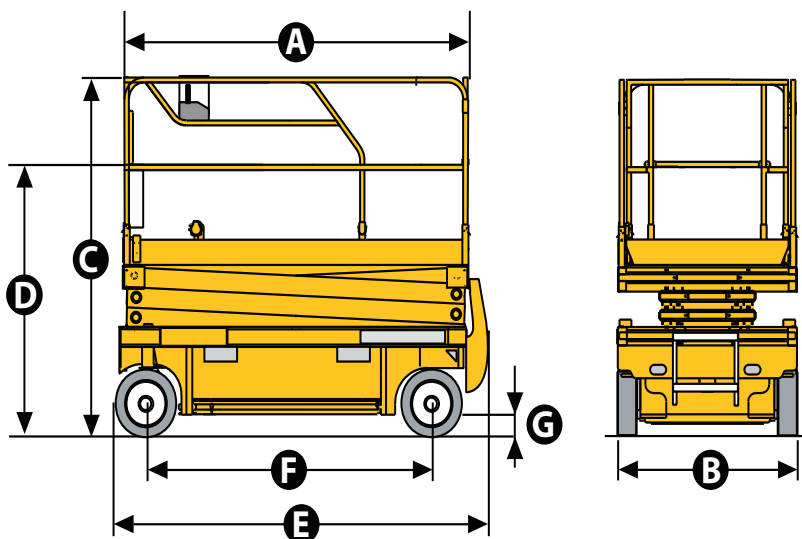
COMPACT 3947 E

ELECTRIC SCISSOR LIFTS

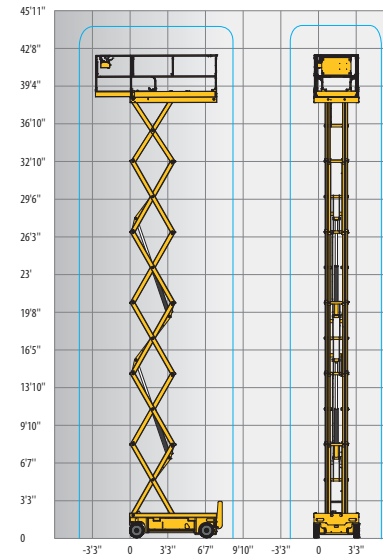
TECHNICAL DATA

COMPACT 3947 E

Working height	44 ft 11 in
Platform height	38 ft 11 in
Lift capacity	770 lbs
A Platform length - outside	7 ft 7 in
Platform length - extended	10 ft 7 in
Extension length	3 ft
Platform width - outside	3 ft 11 in
D Storage height	6 ft 10 in
C Height - stowed	8 ft 2 in
B Overall width	3 ft 11 in
E Length	8 ft 2 in
F Wheelbase	6 ft 1 in
G Ground clearance	6 in
Ground clearance - Pothole guards deployed	1 in
Drive speed	0.6 - 1.7 mph
Driveable at full height up to	38 ft 11 in
Gradeability	23 %
Lift / lower speed	61 s / 50 s
Turning radius - outside	7 ft 9 in
Non-marking tires	15x5
Batteries	24 V - 340 Ah (C20)
Hydraulic system capacity	7 gal
Weight	6,985 lbs



770 lbs / 2x



STANDARD EQUIPMENT

- Pothole protection
- Battery charge indicator
- Proportional lift and drive
- Removable control box in platform
- Swing out component tray
- Battery charger 110V / 60Hz
- Non-marking tires
- Brake release
- Tilt alarm
- Load management system in the platform
- Manual platform lowering valve
- Integrated forklift pockets
- Towing hooks
- Horn
- Hourmeter

OPTIONS AND ACCESSORIES

- Flashing light
- Travel alarm
- Working light
- Power to platform
- Biodegradable hydraulic oil
- Centralised battery filling

